




**Model 4WSD9R**   
**Universal Converter**  
**Covers All the Bases-**  
**RS-232 to 4-wire RS-422,**  
**2-wire or 4-wire RS-485**

The 4WSD9R Universal Converter is a port-powered or externally powered two-channel RS-232 to RS-422/RS-485 converter. It converts TD and RD RS-232 lines to balanced RS-422 or RS-485 signals. RS-485 is an enhanced version of the RS-422 standard, allowing multiple drivers and receivers on a two-wire system. The unit is powered from the RS-232 data and handshake lines whether the lines are high or low. Or, if there is not enough power on the port, it can be powered by an external +12VDC 100mA supply. The 4WSD9R has DB-9 female connectors on both the RS-232 side and the RS-485 side. The RS-232 connector is configured as DCE (like a modem).

**RS-232 Side:**

Connector: DB-9 female (DCE)  
 Signals: Passes through pins 3 (TD) and 2 (RD)  
 Pins 7 (RTS) and 8 (CTS) are tied together  
 Pins 4 (DTR), 6 (DSR), and 1 (CD) are tied together

**RS-422/RS-485 Side:**

Connector: DB-9 female  
 Signals: RS-485 2-wire half-duplex, or RS-485 4-wire full-duplex,  
 or RS-422 4-wire full-duplex depending on switch configurations  
 Automatic control circuit enables driver only when transmitting  
 Receiver can be disabled when transmitting to prevent echo back to RS-232 device when in 2-wire mode  
 Data Rates: Up to 115.2 kbps  
 Distance: Externally powered transmits up to 4000 ft (1200 m) at 115.2 kbps (may be less with port powering)  
 Dimensions: 3.0 x 1.6 x 0.8 in (7.8 x 4.3 x 2.0 cm)

**Power**

No external power is required if two RS-232 output handshake lines are available and the cable run is short. If the handshake lines are raised and no termination is used, the power efficiency is greatly increased. Less than 3mA is required to operate the 4WSD9R plus the load current. For applications that do not have handshake lines or require a large load current, power may be externally supplied with a +12VDC power supply with a 2.5mm plug (tip positive).

**RS-232 Operations**

The RS-232 port has a female DB9 connector with pins 2 (RD), 3 (TD), and 5 (Signal Ground) supported. Pins 7 (RTS) and 8 (CTS) are tied together, and pins 6 (DSR), 1 (DCD), and 4 (DTR) are also tied together. Any incoming data lines in either the high or low state are used to port power the 4WSD9R. The more handshake lines available, the more likely the unit can be port powered. Table 1 shows the RS-232 pinout.

**RS-422/485 Operations**

Although the 4WSD9R can use handshake lines to power the converter, no handshaking is required to control the RS-422/RS-485 driver. With switch 1 set to RS-422, the driver is always enabled. When switch 1 is in the RS-485 position, the RS-485 driver is automatically enabled during each spacing state on the RS-232 side. During the marking or idle state, the RS-485 driver is disabled and the data lines are held in the marking state by the 4.7K Ohm pull-up and pull-down resistors. The value of these resistors may need to be changed to a different value when termination is used in order to maintain the proper DC bias during the idle state.

**Table 1:  
RS-232 Pinout**

Pin #	Signal
1	DCD
2	RD
3	TD
4	DTR
5	GND
6	DSR
7	RTS
8	CTS

**Table 2:  
RS-422/485 Pinout**

Pin #	Signal
2	RD(A)-
3	TD(B)+
4	GND
6	GND
7	RD(B)+
8	TD(A)-



See B&B Electronics' free RS-422/RS-485 Application Note for more information on termination and DC biasing of an RS-485 network.

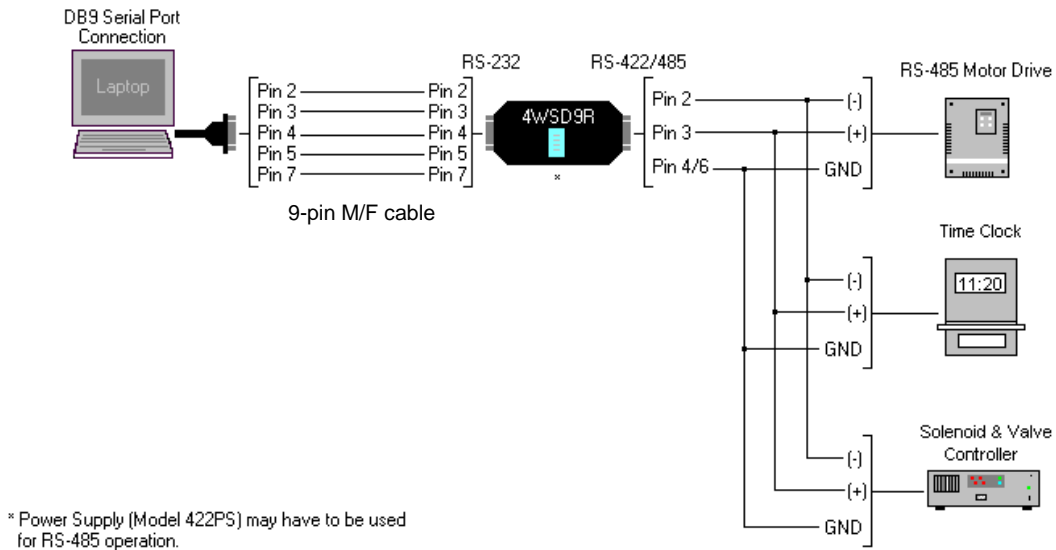
### RS-485 2-Wire Half-Duplex

This communications mode is used to connect several RS-485 devices to the same network with a minimum number of wires when only one unit talks at a time. The RS-485 driver is automatically enabled during each spacing state on the RS-232 side. During the marking or idle state, the RS-485 driver is disabled and the data lines are held in the marking state by the 4.7K Ohm pull-up and pull-down resistors. The value of these resistors may need to be changed to a different value when termination is used in order to maintain the proper DC bias during the idle state.

See B&B Electronics' free RS-422/RS-485 Application Note for more information on termination and DC biasing of an RS-485 network. To set up for this mode on the 4WSD9R, place switch 1 in the RS-485 position, switch 2 in the echo off position, and switches 3 and 4 in the 2-wire position. Follow the wiring diagram in Figure 1 to connect to a 2-wire half-duplex network.

**Table 3: Switch settings for RS-485 2-wire half-duplex**

Switch #	Position
1	RS-485
2	Echo Off
3	2-wire
4	2-wire



**Figure 1: RS-485 2-wire half-duplex diagram**

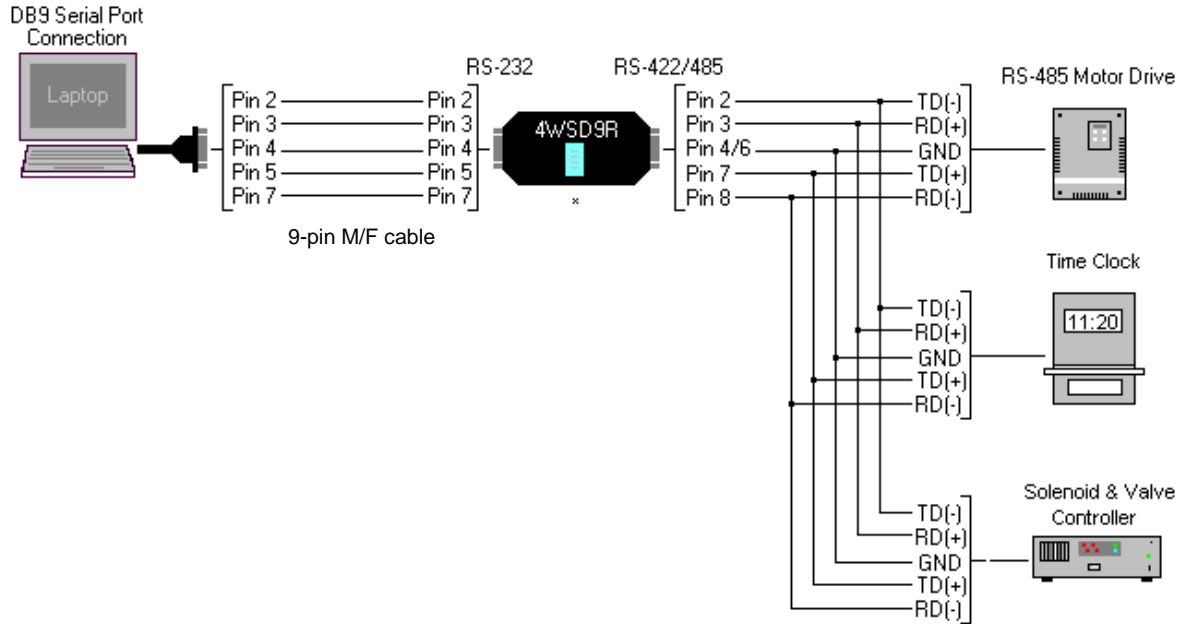
### RS-485 4-Wire Full-Duplex

This communications mode is typically one of the slaves in a master/slave RS-485 setup. The RS-485 driver is automatically enabled during each spacing state on the RS-232 side. During the marking or idle state, the RS-485 driver is disabled and the data lines are held in the marking state by the 4.7K Ohm pull-up and pull-down resistors. The value of these resistors may need to be changed to a different value when termination is used in order to maintain the proper DC bias during the idle state. See B&B Electronics' free RS-422/RS-485 Application Note for more information on termination and DC biasing of an RS-485 network.

**Table 4: Switch settings for RS-485 4-wire full-duplex**

Switch #	Position
1	RS-485
2	Echo ON
3	4-wire
4	4-wire

The receiver is enabled at all times, allowing devices to receive information even while they are responding to a request. To set up for this mode on the 4WSD9R, place switch 1 in the RS-485 position, switch 2 in the echo on position, and switches 3 and 4 in the 4-wire position. The wiring between the slave and the master is identical to the RS-422 4-wire full-duplex diagram shown in Figure 3, and in many cases the master in a master/slave RS-485 network is set up as an RS-422 device. When multiple slaves are on the same network, the connection between the master and each slave must be the same as shown in Figure 2. This will cause all slaves to have their transmitters connected and their receivers connected, and not allow communications between the slaves themselves.



\* Power Supply (Model 422PS) may have to be used for RS-485 operation.

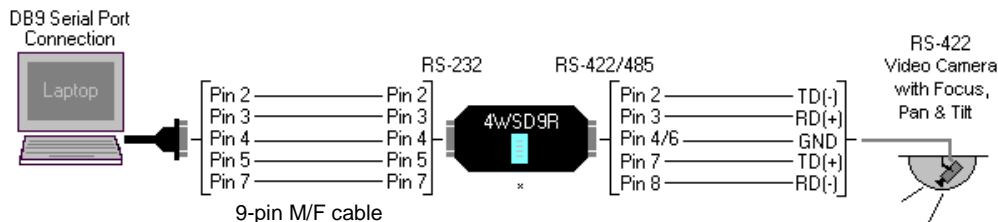
**Figure 2: RS-485 4-wire full-duplex diagram**

**RS-422 4-Wire Full-Duplex:**

This communications mode is typically used for point-to-point communications over long distances with better noise immunity than RS-232. Another common use would be as the master in a master/slave configuration. The RS-422 driver and receiver are always enabled to allow full-duplex communications. In order to do this there must be a pair of wires dedicated to the driver, a pair dedicated to the receiver, and a ground reference wire<sup>1</sup> for a total of 5 lines to operate properly. To set up for this mode, put switch 1 in the RS-422 position, switch 2 in the Echo On position, and switches 3 and 4 in the 4-wire position as shown in Table 5.

**Table 5: Switch settings for RS-422 4-wire full-duplex**

Switch #	Position
1	RS-422
2	Echo On
3	4-wire
4	4-wire





\* Power Supply (Model 422PS) may have to be used for RS-422 operation.

**Figure 3: RS-422 4-wire full-duplex diagram**

<sup>1</sup> If you are concerned about creating ground loops by connecting grounds of units together, please check into B&B Electronics' line of optically isolated RS-232 to RS-422/485 units such as the 485OT9L.

*This product is Designed and Manufactured in the USA of domestic and imported components.*

**B&B ELECTRONICS**

<b>DECLARATION OF CONFORMITY</b>	
Manufacturer's Name:	B&B Electronics Manufacturing Company
Manufacturer's Address:	P.O. Box 1040 707 Dayton Road Ottawa, IL 61350 USA
Model Number:	4WSD9R
Description:	RS-422/485 Converter
Type:	Light industrial ITE equipment
Application of Council Directive:	89/336/EEC
Standards:	EN 55022 EN 61000-6-1 EN 61000 (-4-2, -4-3, -4-4, -4-5, -4-6, -4-8, -4-11)
	
Robert M. Paratore, Director of Engineering	
	

**PRODUCT INFORMATION**

