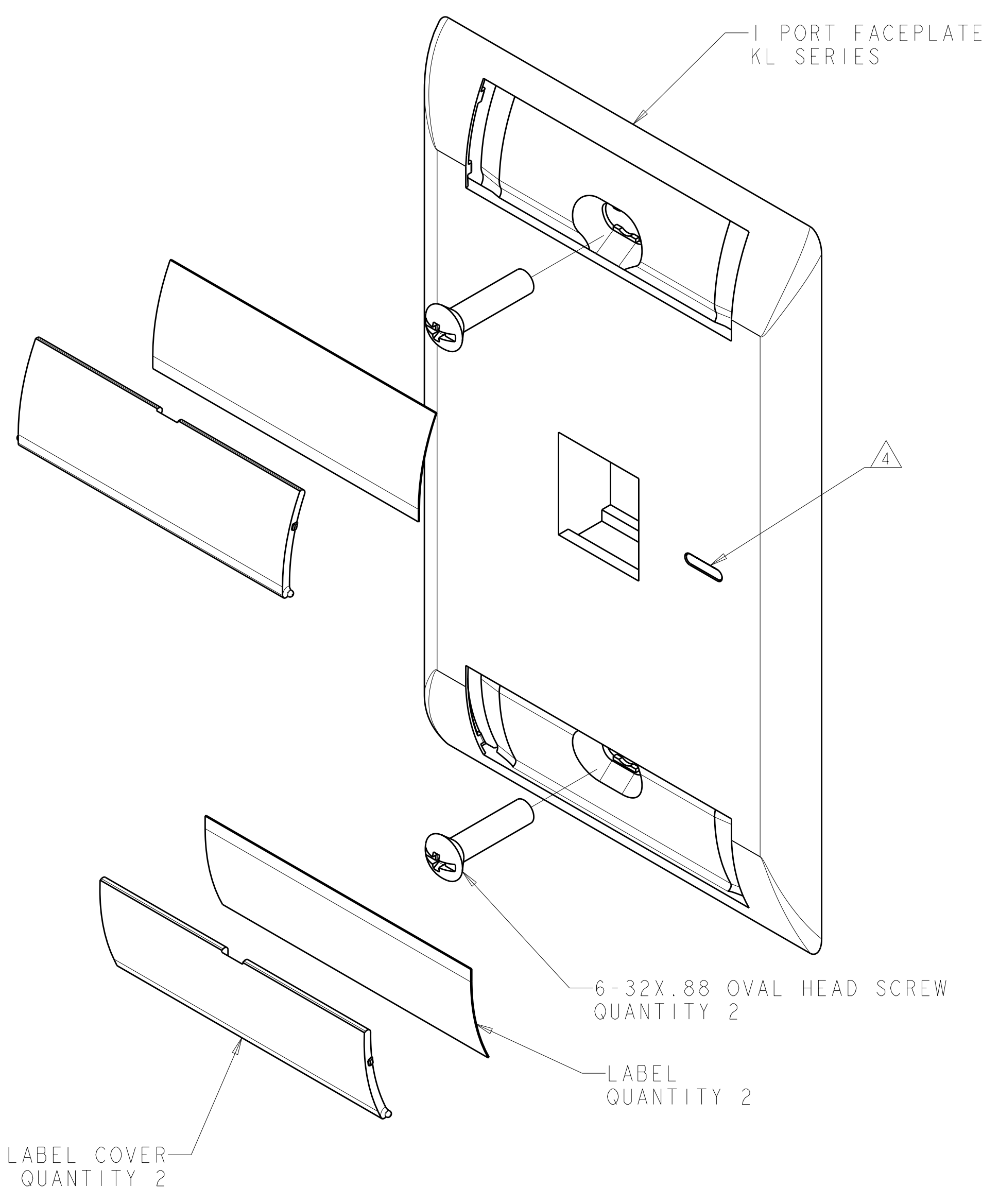
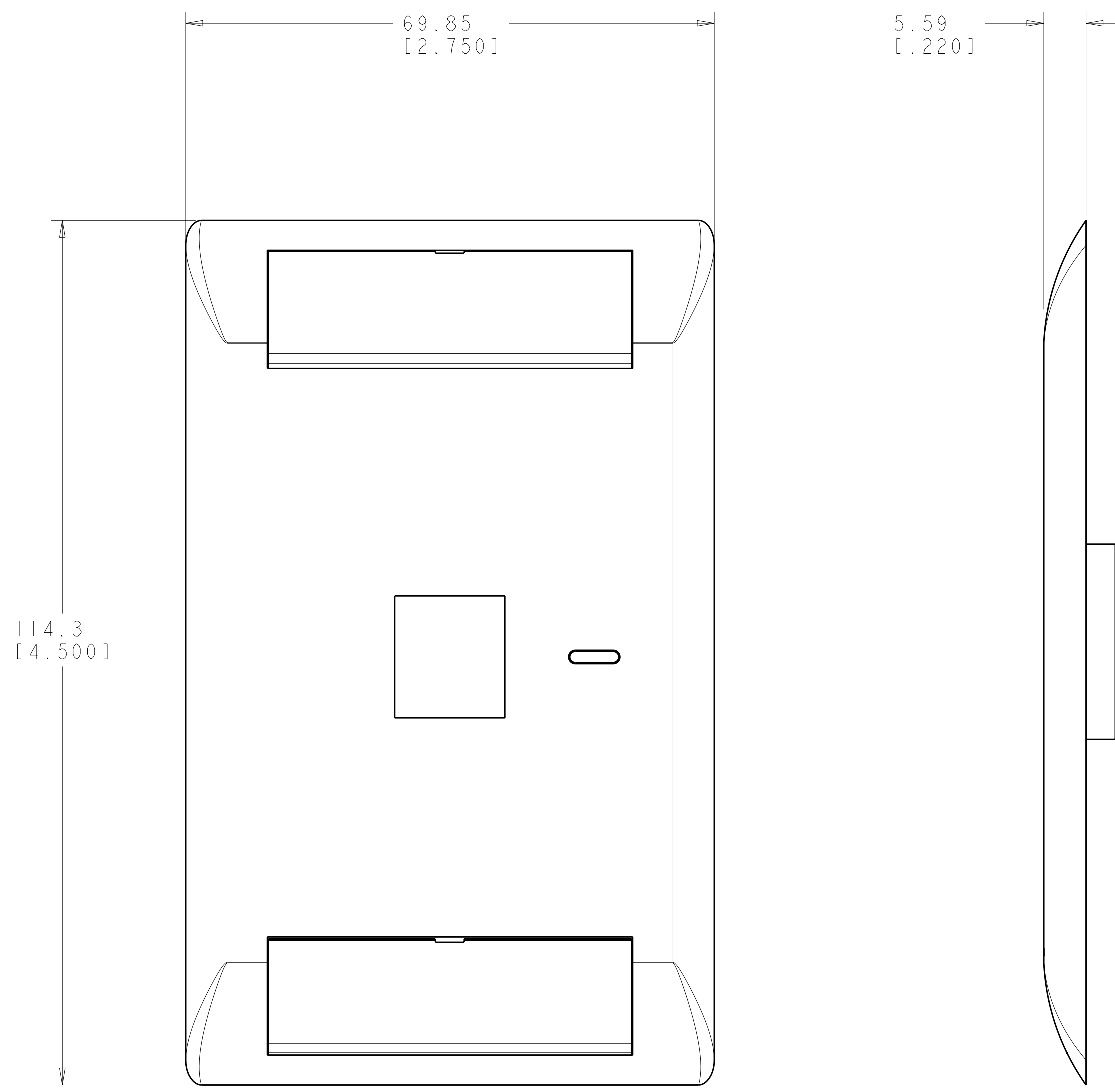


LOC	DIST	REVISIONS			
HM	00	REV	DATE	BY	APPD
		A	09FEB2010	GG	RA
		B	10MAR2010	GG	RA



- ⚠ DIMENSIONS ARE NOMINAL UNLESS OTHERWISE SPECIFIED.
- ⚠ MATERIAL:  
FACEPLATE - POLYCARBONATE MOLDING COMPOUND. SEE TABLE FOR COLORS.  
SCREWS - ZINC PLATED CARBON STEEL.  
LABEL COVER - POLYCARBONATE MOLDING COMPOUND, CLEAR.  
LABEL - WHITE INDEX PAPER.
- 3. THIS KIT SHIPPED NOT ASSEMBLED.
- ⚠ MOLD OVER ICON FEATURE.



ALPINE WHITE	1-2111036-3
ELECTRIC IVORY	1-2111036-1
NEMA GRAY	2111036-4
WHITE	2111036-3
BLACK	2111036-2
LIGHT ALMOND	2111036-1
COLOR	PART NUMBER

DIMENSIONS: MM [INCHES] TOLERANCES UNLESS OTHERWISE SPECIFIED: 0 PLC ± .1 1 PLC ± .1 2 PLC ± .1 3 PLC ± .1 4 PLC ± .1 ANGLES ± .1		DWN: S. GARRETT 31MAR2009 CHK: R. ASHBY 31MAR2009 APVD: R. ASHBY 31MAR2009	Tyco Electronics Harrisburg, PA 17105-3608
MATERIAL: - FINISH: -		NAME: KIT, FACEPLATE, COMMERCIAL, SINGLE GANG, 1 PORT, KL SERIES PRODUCT SPEC: - APPLICATION SPEC: - WEIGHT: -	SIZE: A100779 CAGE CODE: C=2111036 DRAWING NO: - RESTRICTED TO: -
CUSTOMER DRAWING		SCALE: 2:1	SHEET: 1 OF 1 REV: B