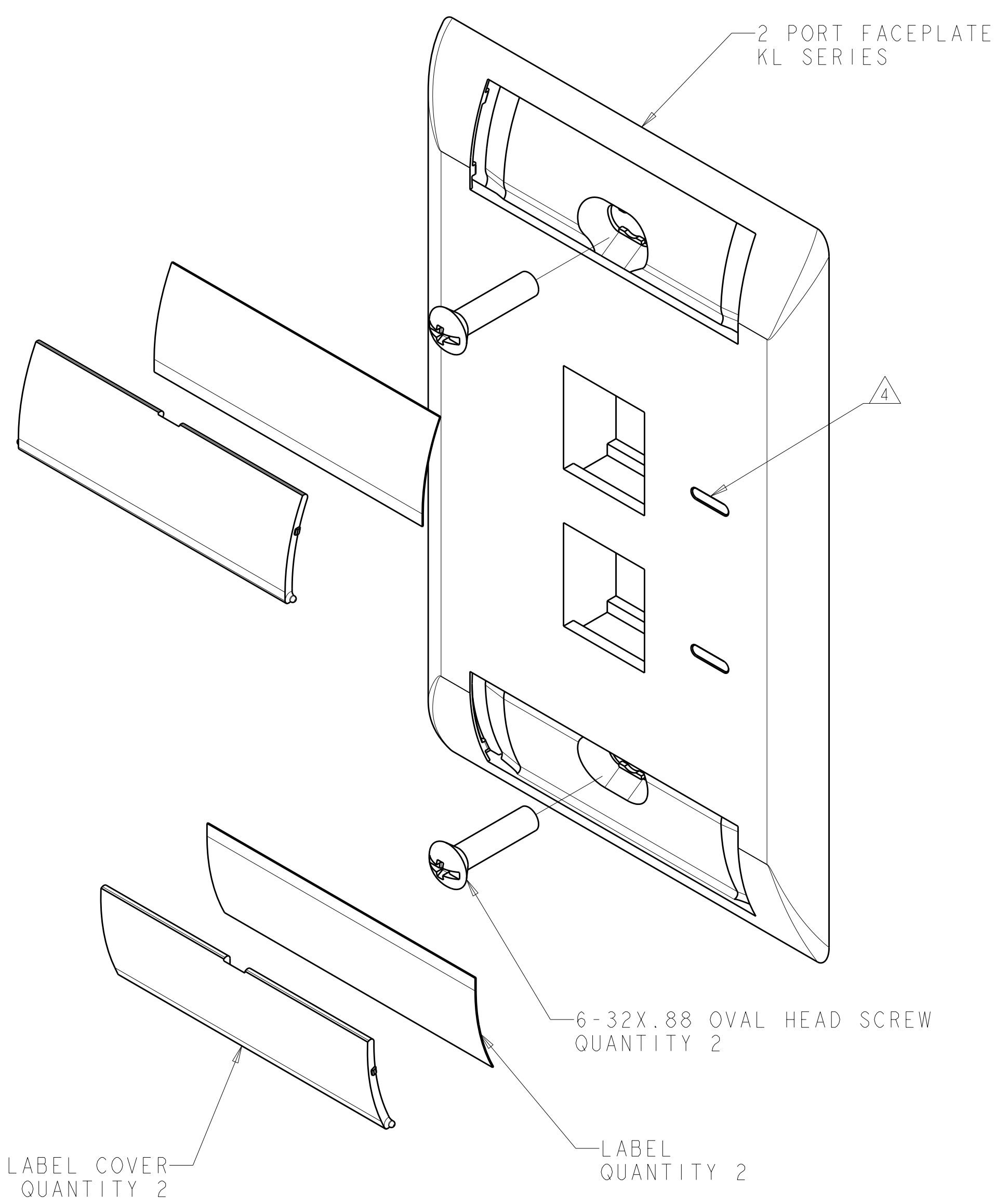
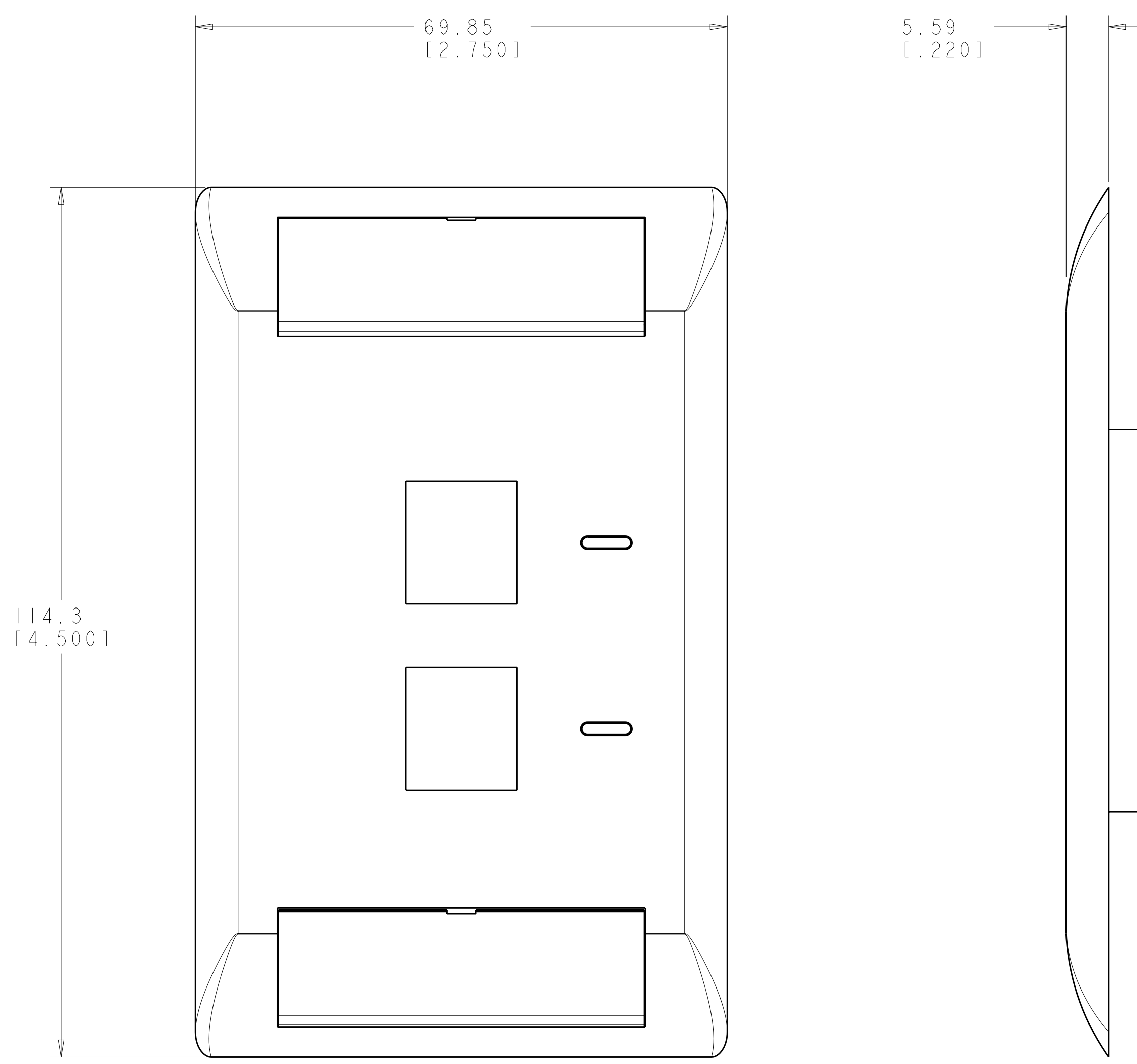


LOC	DIST	REVISIONS			
HM	00	REV	DATE	BY	APPD
		A	09FEB2010	GG	RA
		B	10MAR2010	GG	RA



- △ DIMENSIONS ARE NOMINAL UNLESS OTHERWISE SPECIFIED.
- △ MATERIAL:
FACEPLATE - POLYCARBONATE MOLDING COMPOUND. SEE TABLE FOR COLORS.
SCREWS - ZINC PLATED CARBON STEEL.
LABEL COVER - POLYCARBONATE MOLDING COMPOUND, CLEAR.
LABEL - WHITE INDEX PAPER.
- 3. THIS KIT SHIPPED NOT ASSEMBLED.
- △ MOLD OVER ICON FEATURE.



ALPINE WHITE	1-2111037-3
ELECTRIC IVORY	1-2111037-1
NEMA GRAY	2111037-4
WHITE	2111037-3
BLACK	2111037-2
LIGHT ALMOND	2111037-1
COLOR	PART NUMBER

DIMENSIONS: MM [INCHES] TOLERANCES UNLESS OTHERWISE SPECIFIED: 0 PLC ± .1 1 PLC ± .1 2 PLC ± .1 3 PLC ± .1 4 PLC ± .1 ANGLES ± .1		DWN: S. GARRETT 31MAR2009 CHK: R. ASHRY 31MAR2009 APVD: R. ASHRY 31MAR2009		Tyco Electronics Harrisburg, PA 17105-3608	
MATERIAL: △ FINISH: △		NAME: KIT, FACEPLATE, COMMERCIAL, SINGLE GANG, 2 PORT, KL SERIES PRODUCT SPEC: - APPLICATION SPEC: - WEIGHT: -		SIZE: A100779 CAGE CODE: C=2111037 DRAWING NO: - RESTRICTED TO: -	
CUSTOMER DRAWING		SCALE: 2:1		SHEET 1 OF 1 REV B	