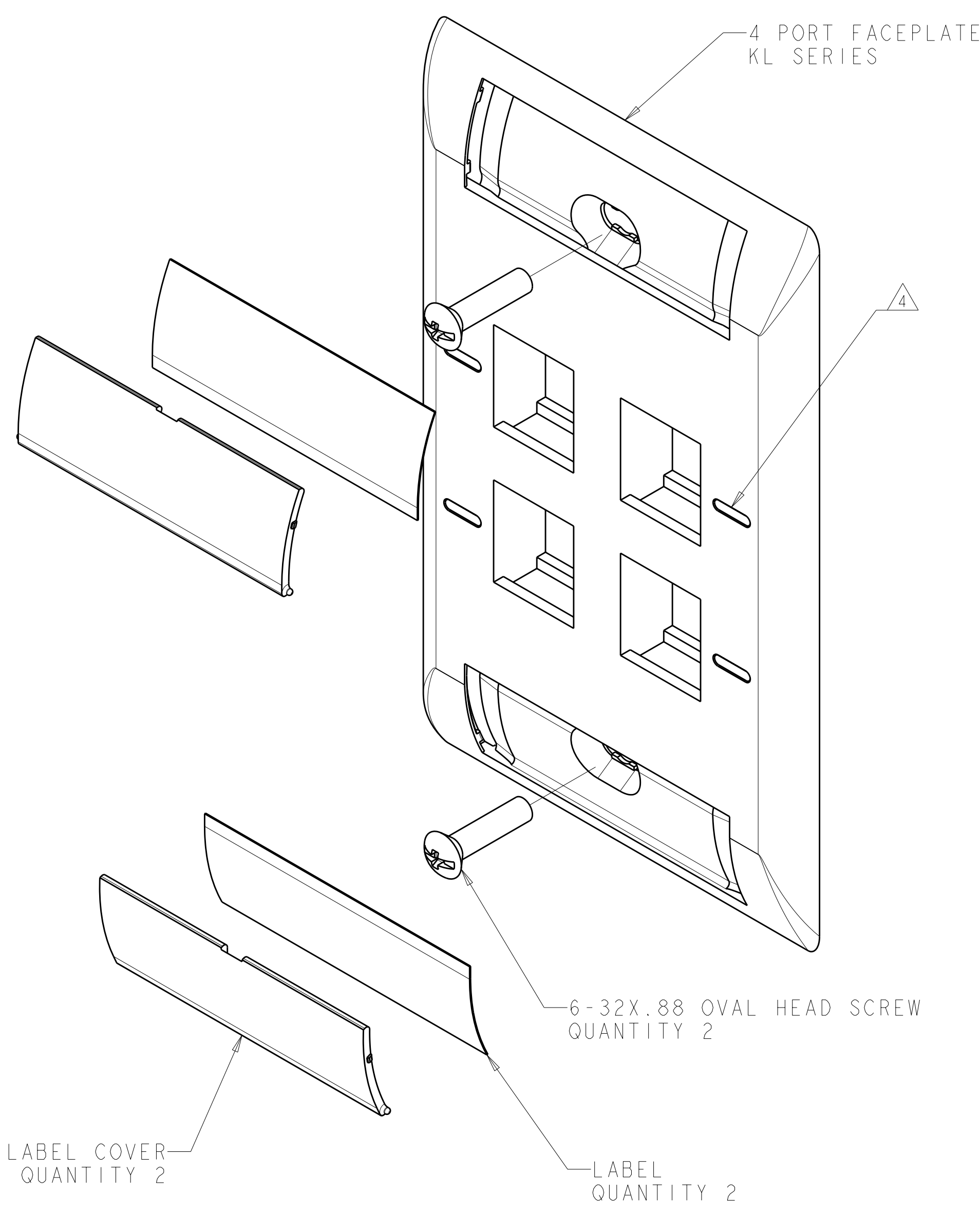
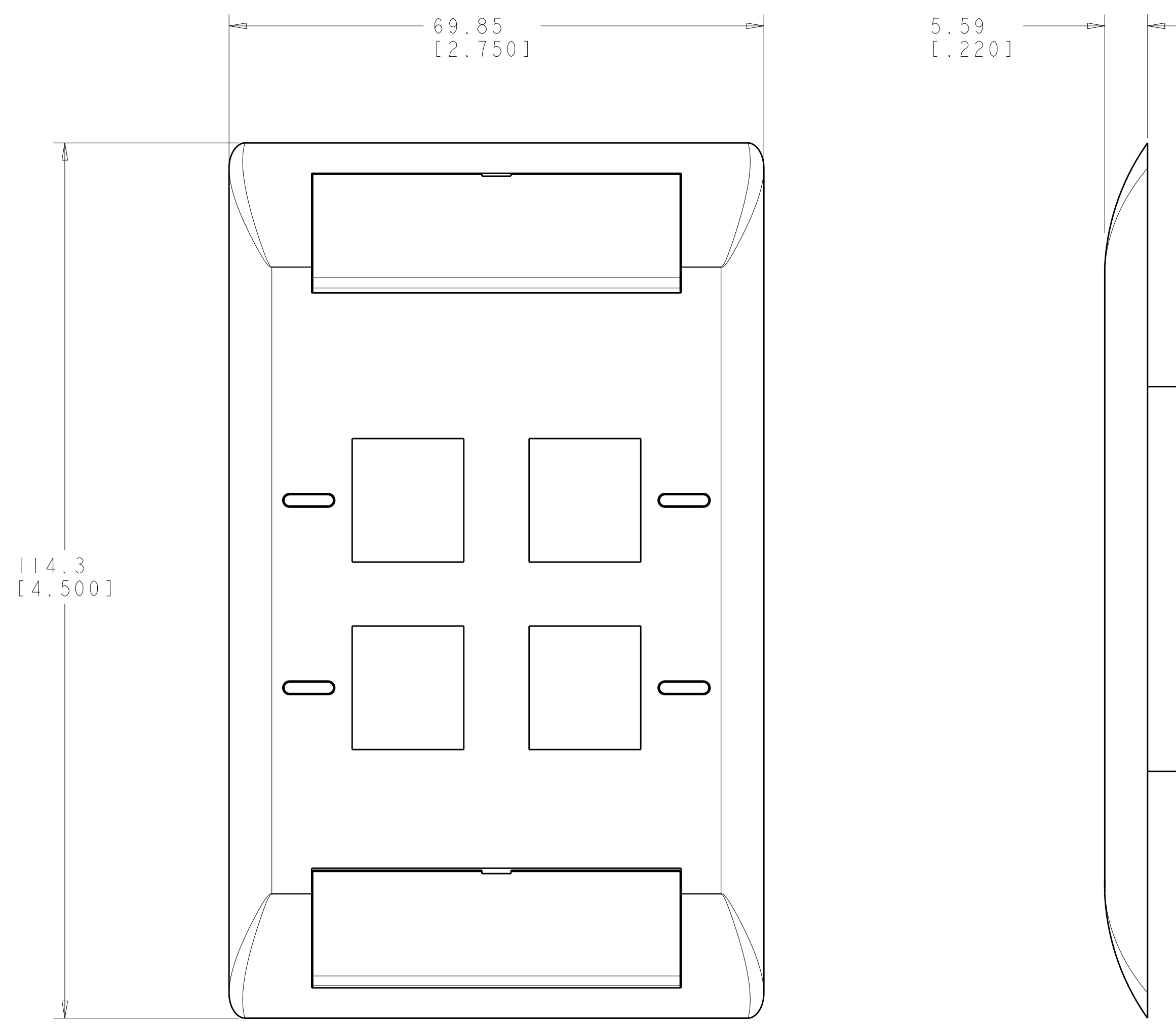


LOC	DIST	REVISIONS					
HM	00	P	LTR	DESCRIPTION	DATE	DWN	APVD
		A		RLSD; ECO-10-003803	09FEB2010	GG	RA
		B		REV; ECO-10-005392	10MAR2010	GG	RA



- ⚠ DIMENSIONS ARE NOMINAL UNLESS OTHERWISE SPECIFIED.
- ⚠ MATERIAL:
FACEPLATE - POLYCARBONATE MOLDING COMPOUND.
SEE TABLE FOR COLORS.
- SCREWS - ZINC PLATED CARBON STEEL.
- LABEL COVER - POLYCARBONATE MOLDING COMPOUND,
CLEAR.
- LABEL - WHITE INDEX PAPER.
- 3. THIS KIT SHIPPED NOT ASSEMBLED.
- ⚠ MOLD OVER ICON FEATURE.



ALPINE WHITE	1-2111039-3
ELECTRIC IVORY	1-2111039-1
NEMA GRAY	2111039-4
WHITE	2111039-3
BLACK	2111039-2
LIGHT ALMOND	2111039-1
COLOR	PART NUMBER

DIMENSIONS: MM [INCHES]		TOLERANCES UNLESS OTHERWISE SPECIFIED: 0 PLC ± .1 1 PLC ± .1 2 PLC ± .1 3 PLC ± .1 4 PLC ± .1 ANGLES ± .1		DWN: S. GARRETT 31MAR2009 CHK: R. ASHRY 31MAR2009 APVD: R. ASHRY 31MAR2009		Tyco Electronics Harrisburg, PA 17105-3608	
MATERIAL: - FINISH: -		WEIGHT: -		NAME: KIT, FACEPLATE, COMMERCIAL, SINGLE GANG, 4 PORT, KL SERIES		SIZE: A 00779 C=2111039	
CUSTOMER DRAWING				SCALE: 2:1		SHEET 1 OF 1 REV B	