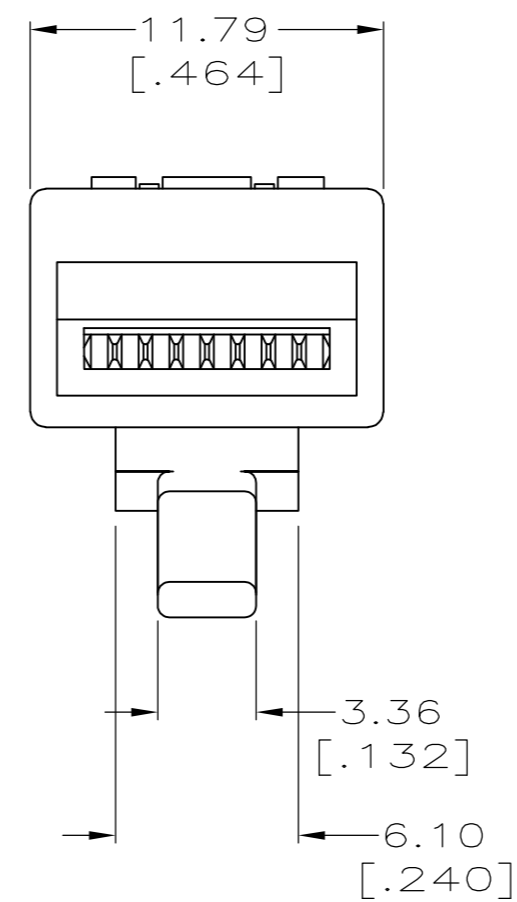
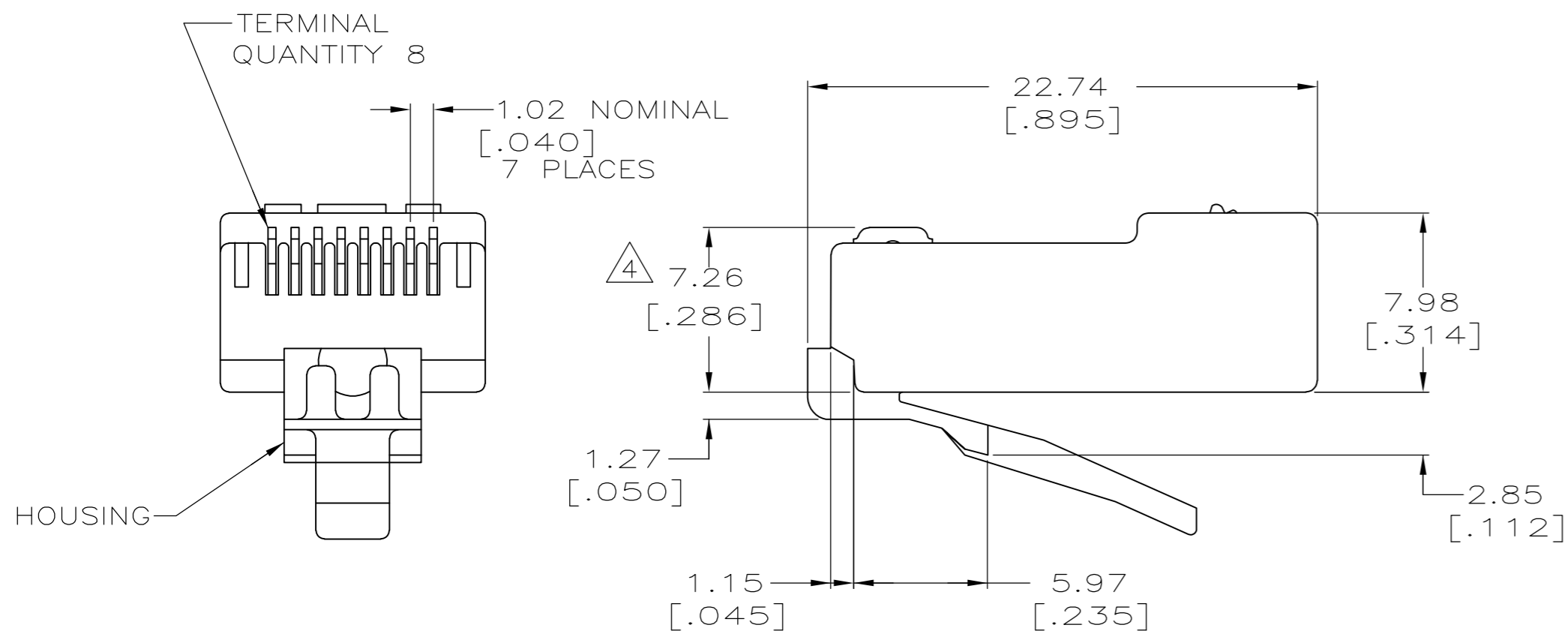
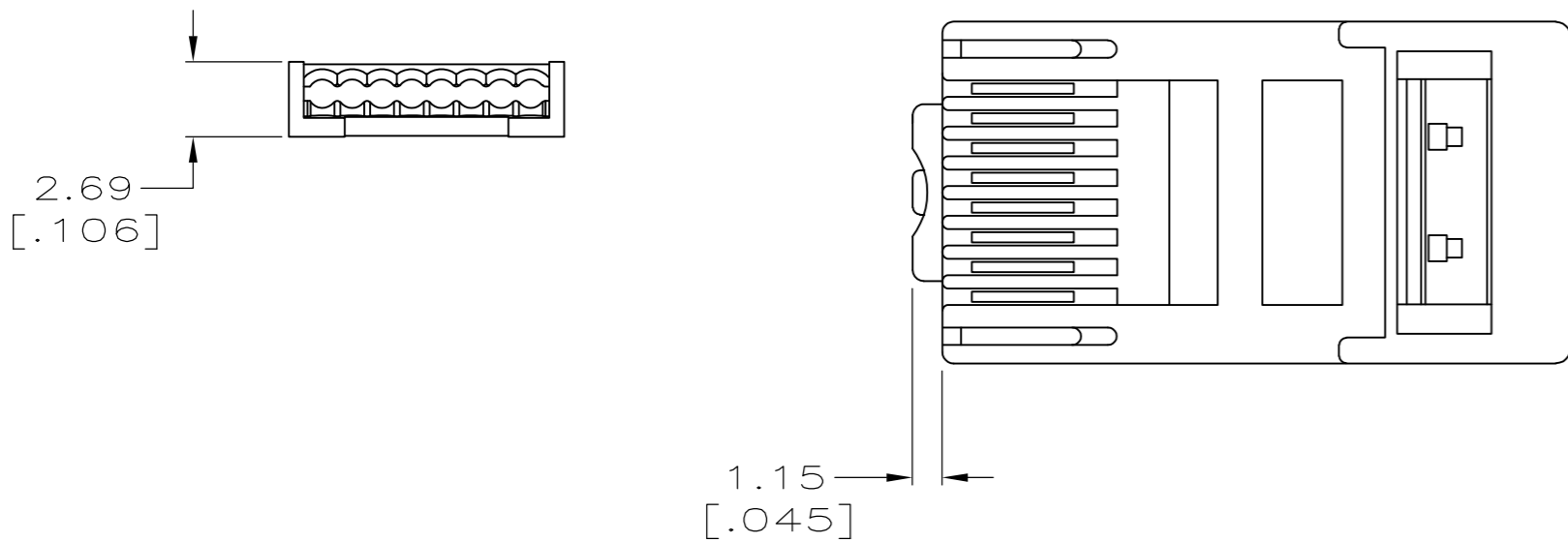
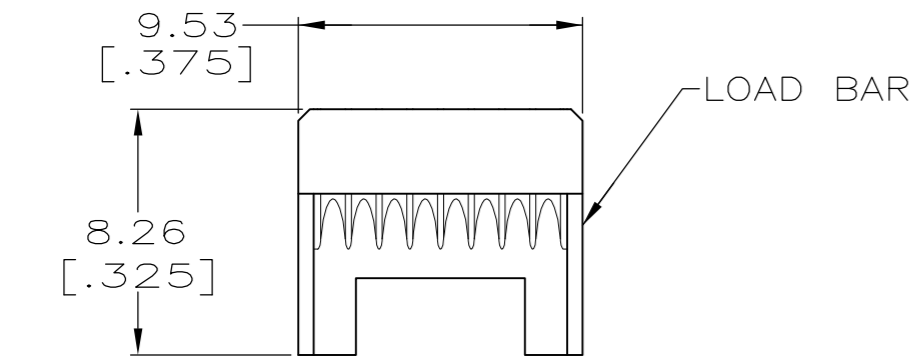


THIS DRAWING IS UNPUBLISHED. RELEASED FOR PUBLICATION
 © COPYRIGHT - By - ALL RIGHTS RESERVED.

LOC		DIST		REVISIONS			
P	LTR	DESCRIPTION		DATE	DWN	APVD	
HM	00	F		REVISED PER ECO-12-012703	13JUL2012	GG	JG



1 MATERIAL:
 HOUSING - 94V-0 RATED POLYCARBONATE, CLEAR.
 TERMINAL - 0.36[.014] THICK PHOSPHOR BRONZE PLATED WITH 1.27μm[.000050] MINIMUM THICK GOLD IN LOCALIZED AREA OVER 2.54μm[.000100] MINIMUM THICK NICKEL UNDERPLATE.
 LOAD BAR - PBT POLYESTER, BLACK.

2 DIMENSIONS ARE MAXIMUM UNLESS OTHERWISE SPECIFIED.

3. PLUG WILL ACCEPT A 24,26 OR 28 AWG SOLID CONDUCTOR, PROVIDED THE INSULATED CONDUCTOR DIAMETER IS 0.89[.035] TO 0.99[.039]; WITH AN UNSHIELDED, PLIABLE, LOOSE CABLE JACKET OF 4.83[.190] TO 5.59[.220] DIAMETER OR AN UNSHIELDED, RIGID, HARD CABLE JACKET OF 4.83[.190] TO 5.08[.200] DIAMETER.

4 TERMINATED DIMENSION 6.15[.242] MAXIMUM.

5 500 ASSEMBLIES AND 500 LOAD BARS PER PACKAGE.

6 100 ASSEMBLIES AND 100 LOAD BARS PER PACKAGE.

8 10,000 ASSEMBLIES AND 10,000 LOAD BARS PER PACKAGE.

9. UL RECOGNIZED: FILE NUMBER E81956.

6	5-569278-3
5	5-569278-2
8	5-569278-1
PACKAGED	PART NUMBER

THIS DRAWING IS A CONTROLLED DOCUMENT.		DWN	DL DRUMMOND	5-22-95	 TE Connectivity
DIMENSIONS: mm		CHK	D. AHERON	5-22-95	
TOLERANCES UNLESS OTHERWISE SPECIFIED:		APVD	E. LAURER	5-22-95	
0 PLC ± - 1 PLC ± - 2 PLC ± - 3 PLC ± - 4 PLC ± - ANGLES ± -		PRODUCT SPEC	NAME		
MATERIAL		APPLICATION SPEC		MODULAR PLUG ASSEMBLY, 8 POSITION, ROUND CABLE, SOLID WIRE	
FINISH		WEIGHT		SIZE	
		-		A2	
CUSTOMER DRAWING		SCALE		CAGE CODE	
		4:1		00779	
		SHEET		DRAWING NO	
		1 of 1		C=569278	
		REV		RESTRICTED TO	
		F		-	