

4.1

Indoor Boxes

KRONECTION® Boxes

KRONECTION®-Box II for 50 pairs (LSA-PLUS-Series 2)

Order No.	KRONECTION Box II	Pack
6406 1 001-20	KRONECTION Box II empty enclosure with turnbuckle	1 pc

Recommended backmount frame:

6050 3 122-05 LSA-PLUS backmount frame for 50 pairs 1 pc
For the fixing of the backmount frame, 4 screws 3.8x8 mm are necessary.

Empty enclosure, for surface mounting. Flush mounting possible with flush-mounting frame.

Dimensions in mm (h x w x d): 215.6 x 215.6 x 76

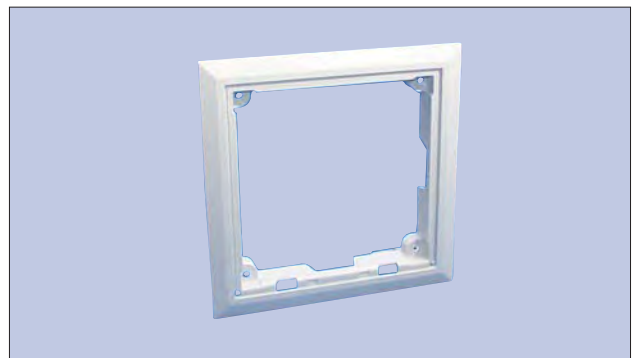
For installation of overvoltage protection elements, an additional attachment frame is required.



Order No.	Flush mounting frame	Pack
6406 2 004-20	KRONECTION Box II flush mounting frame	1 pc

Necessary for flush mounting.

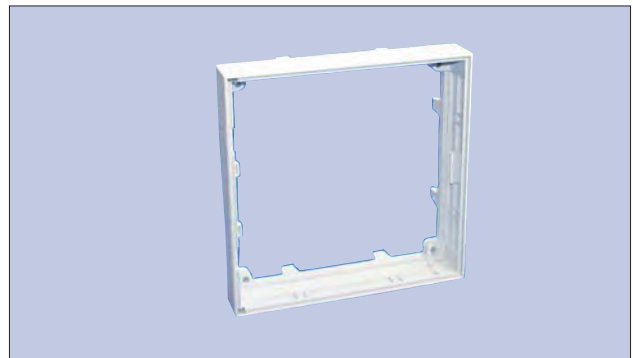
Dimensions in mm (h x w): 255 x 255



Order No.	Attachment frame	Pack
6406 3 003-20	KRONECTION Box II attachment frame	1 pc

Dimensions in mm (h x w x d): 215.6 x 215.6 x 37.5

For additional depth of 37.5mm. The height of the KRONECTION Box II with attachment frame is 113.5 mm. Necessary for overvoltage protection.



Order No.	Accessories	Pack
6406 3 035-02	KRONECTION Box cylinder lock incl. 2 keys, in place of turnbuckle	1 pc
6406 2 002-20	KRONECTION Box II door with turnbuckle	1 pc

Further accessories on request.

